



# CROSSFIRE®

## Truck Mount Adapter (XFF-APL) Flange Truck Mount Adapter (XFF-MPL or XFF-MPP)

**⚠ DANGER**

Understand manual before use. Operation of this device without understanding the manual and receiving proper training is a misuse of this equipment. Obtain safety information at [tft.com/serial-number](http://tft.com/serial-number).

**⚠ WARNING**

Reaction forces generated by master stream flows are capable of causing injury and property damage if not properly supported. Monitors should be securely installed by qualified individuals.

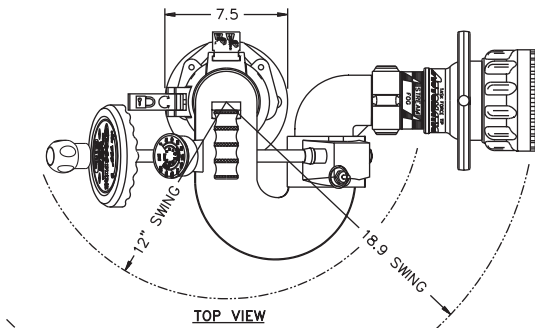
- Mounting objects must be capable of withstanding maximum nozzle reaction force listed in SPECIFICATIONS.
- The monitor must be securely mounted to rigid support members.
- Do not use flanges or pipe made from plastic for monitor mounting.
- Torque all fasteners to specified values.

### INSTALLATION NOTES:

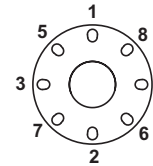
- Make sure that there is no interference between monitor and other deck mounted equipment in all directions. See diagrams for swing radius.
- A drain valve should be provided in the riser pipe which supplies the monitor. The riser should be drained immediately after each use during cold weather to prevent freezing and possible damage.
- The CROSSFIRE monitor has an automatic drain. If this drain has been deactivated, the monitor must be drained by lowering the nozzle below horizontal.
- Use pipe thread sealant on the riser pipe threads when installing the XFF-APL. When installing the bolted flanges, use the supplied ring gasket.
- If you have any questions or installation, please call (800) 348-2686.

### XFF-MPL Truck Mount Adapter

To connect the CROSSFIRE monitor to a riser pipe with either a 3" ANSI 150/DN80 PN16 Flange or 3" NPT male threads.

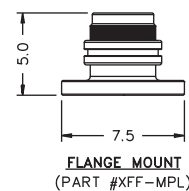
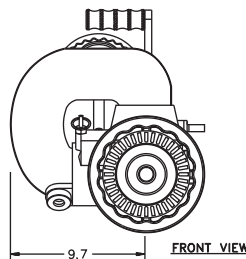
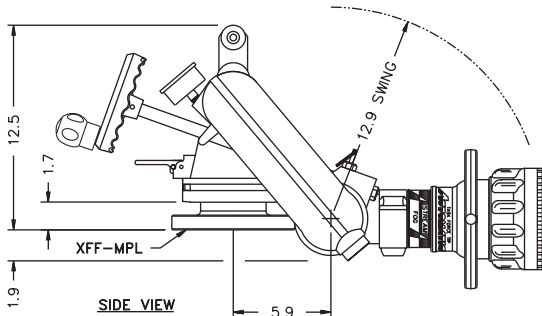


Model	Flange Thickness	Flange Height	# of Bolts	Bolt Dia	Torque on Bolts
XFF-MPL	.75 in 19 mm	5 in 127 mm	4 or 8 See Flange Specs	5/8 in	76-80 ft-lbf



Tighten flange bolts in an alternating sequence. Tighten sequentially each bolt or stud three times with 30%, then 60%, and finally 100% of the specified torque.

Tighten to 76-80 ft-lb (100-110 Newton-Meters).



FLANGE SPECS:

FOR ANSI 150  
(4) 5/8" BOLTS  
ON A 6.00 B.H.C.

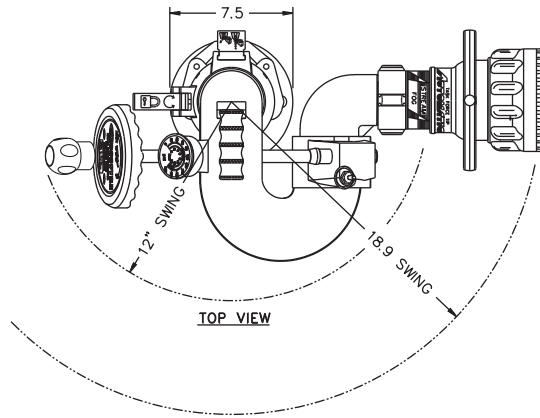
FOR DN80 PN16  
(8) 5/8" BOLTS  
ON A 6.30 B.H.C.

**TASK FORCE TIPS LLC**  
MADE IN USA · [tft.com](http://tft.com)

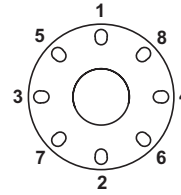
3701 Innovation Way, Valparaiso, IN 46383-9327 USA  
800-348-2686 · 219-462-6161 · Fax 219-464-7155

## XFF-MPP Truck Mount Adapter

To connect a CROSSFIRE monitor to a riser pipe with either 4" ANSI 150/DN100 PN16 Flange or 4" NPT male threads.

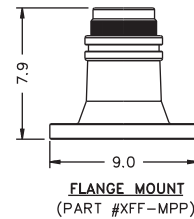
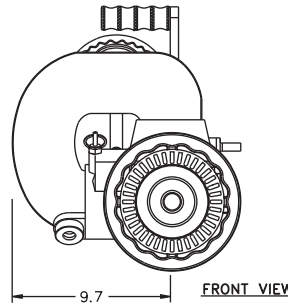
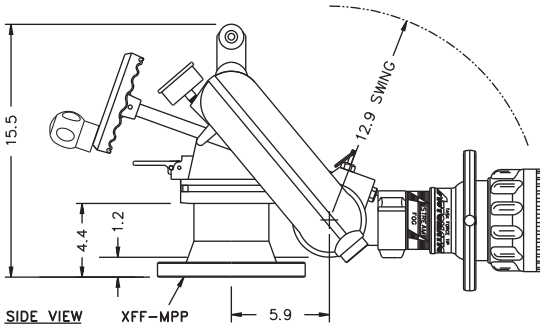


Model	Flange Thickness	Flange Height	# of Bolts	Bolt Dia	Torque on Bolts
XFF-MPP	.94 in 24 mm	7.9 in 200.5 mm	8	5/8 in	76-80 ft-lbf



Tighten flange bolts in an alternating sequence. Tighten sequentially each bolt or stud three times with 30%, then 60%, and finally 100% of the specified torque.

Tighten to 76-80 ft-lb (100-110 Newton-Meters).

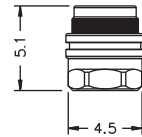
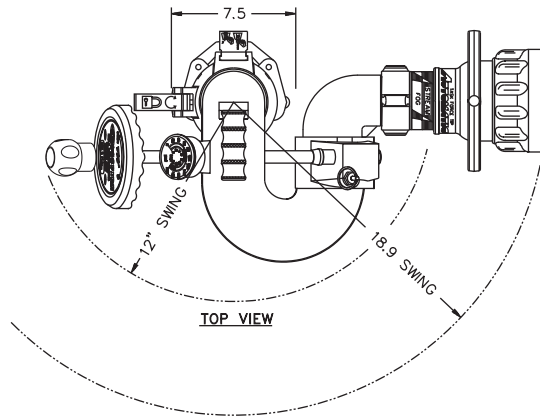


**FLANGE SPECS:**  
FOR ANSI 150  
(8) 5/8" BOLTS  
ON A 7.087 B.H.C.

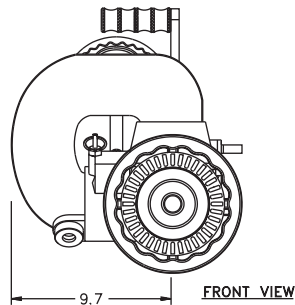
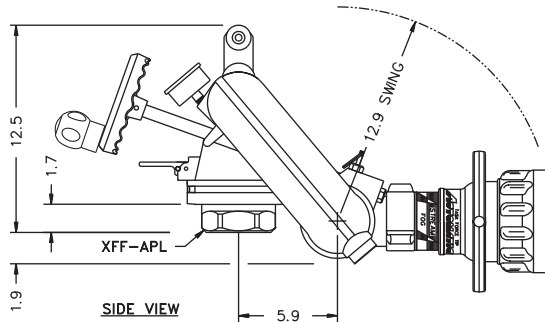
FOR DN100 PN16  
(8) 5/8" BOLTS  
ON A 7.50 B.H.C.

## XFF-APL Truck Mount Adapter

To connect the CROSSFIRE monitor to a riser pipe with a 3" NPT male threads.



**THREAD SPECS:**  
3" FEMALE TAPER  
PIPE THREADS



**TASK FORCE TIPS LLC**  
MADE IN USA · tft.com

3701 Innovation Way, Valparaiso, IN 46383-9327 USA  
800-348-2686 · 219-462-6161 · Fax 219-464-7155